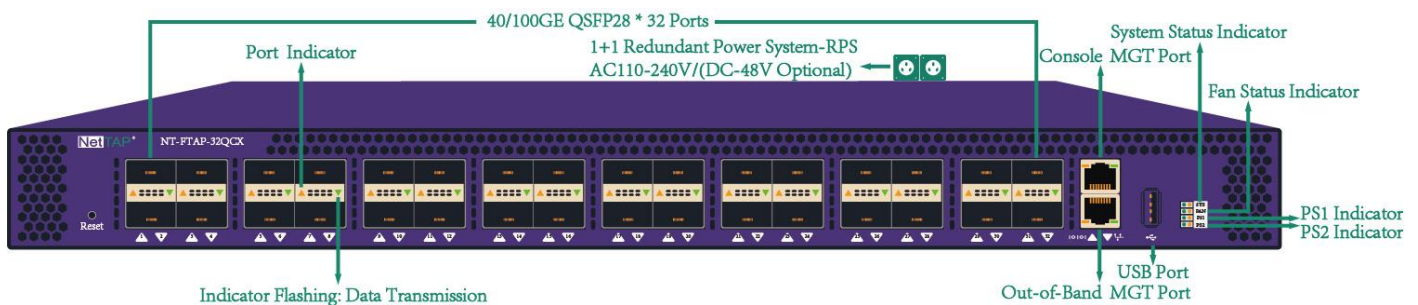
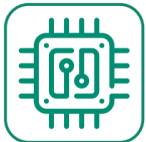


1- Overviews

- ☞ A full visual control of Data Acquisition device(32*40/100GE QSFP28 ports)
- ☞ A full Data Scheduling Management device(32*100GE duplex Rx/Tx processing)
- ☞ A full pre-processing and re-distribution device(bidirectional bandwidth 3.2Tbps)
- ☞ Supported collection & reception of link data from different network element locations
- ☞ Supported collection & reception of link data from different switch routing nodes
- ☞ Supported raw packet collected, identified, analyzed, statistically summarized and marked
- ☞ Supported to realize irrelevant upper packaging of Ethernet traffic forwarding, supported all kinds of Ethernet packaging protocols, and aslo 802.1q/q-in-q, IPX/SPX, MPLS, PPTO, ISL, GRE, PPTP etc. protocol packaging
- ☞ Supported raw packet output for monitoring equipment of BigData Analysis, Protocol Analysis, Signaling Analysis, Security Analysis, Risk Management and other required traffic.
- ☞ Supported real-time packet capture analysis, data source identification



2- Intelligent Traffic Processing Abilities



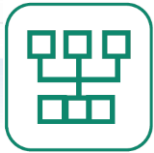
ASIC Chip Plus Multicore CPU
3.2Tbps intelligent traffic processing capabilities



100GE Acquisition
32*40/100GE QSFP28 ports Rx/Tx duplex processing, up to 3.2Tbps Traffic Data Transceiver at same time, for network Data Acquisition, simple Pre-processing

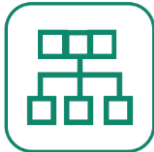


Data Replication
Packet replicated from 1 port to multiple N ports, or multiple N ports aggregated, then replicated to multiple M ports



Data Aggregation

Packet replicated from 1 port to multiple N ports, or multiple N ports aggregated, then replicated to multiple M ports



Data Distribution

Classified the incoming metadata accurately and discarded or forwarded different data services to multiple interface outputs according to white list, blacklist or user's predefined rules.



Data Filtering

Supported L2-L7 packet filtering matching, such as SMAC, DMAC, SIP, DIP, Sport, Dport, TTL, SYN, ACK, FIN, Ethernet type field and value, IP protocol number, TOS, etc. also supported flexible combination of filtering rules.



Load Balance

Supported load balance Hash algorithm and session-based weight sharing algorithm according to L2-L7 layer characteristics to ensure that the port output traffic dynamic of load balancing



UDF Match

Supported the matching of any key field in the first 128 bytes of a packet. Customized the Offset Value and Key Field Length and Content, and determining the traffic output policy according to the user configuration



Unified Control Platform

Supported NetTAP® Matrix-SDN Visual Control Platform Access

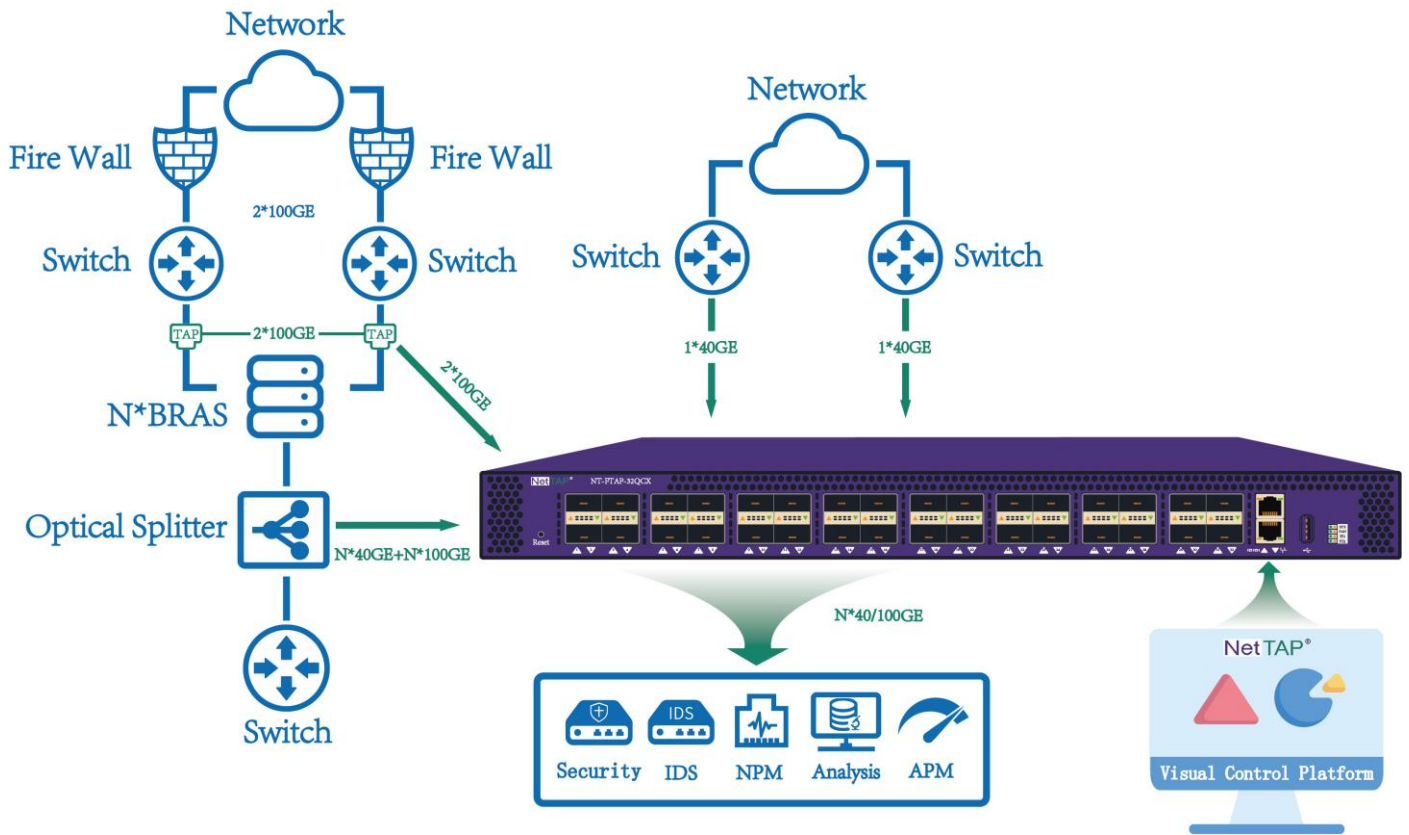


1+1 Redundant Power System(RPS)

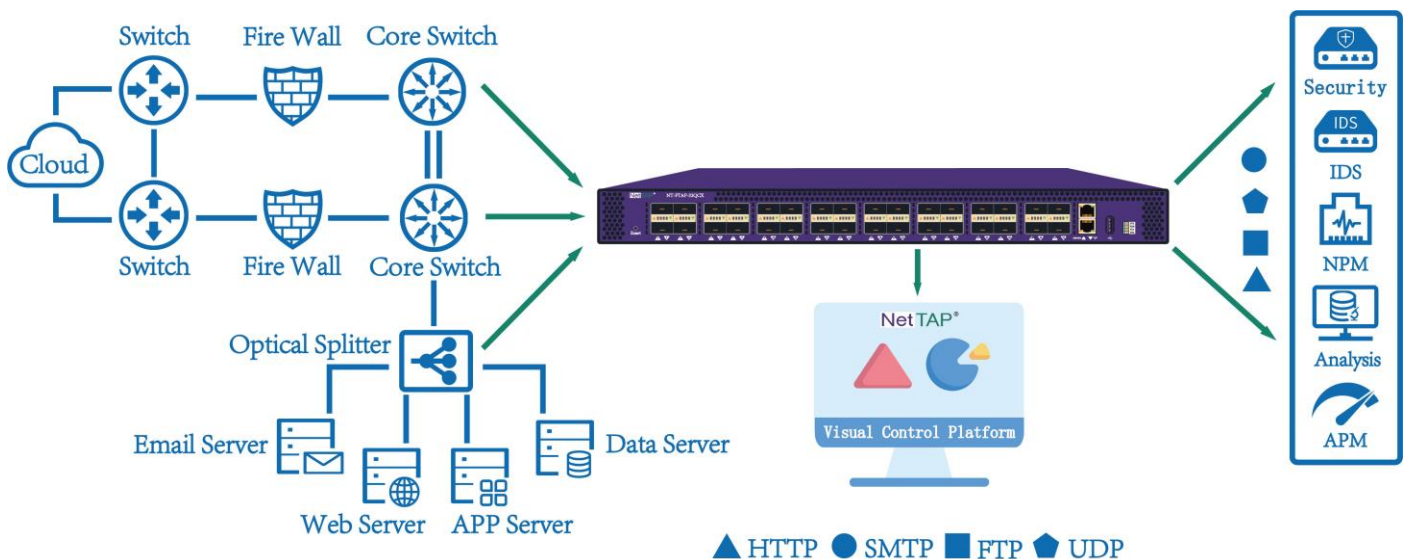
Supported 1+1 Dual Redundant Power System

3- Typical Application Structures

3.1 Centralized Collection Replication/Aggregation Application(as following)



3.2 Unified Schedule Application(as following)



4- Specifications

NT-FTAP-32QCX NetTAP® NPB Functional Parameters			
Network Interface		100G (compatible with 40G)	32*QSFP28 slots
		Out band interface	1*10/100/1000M cooper
Deploy mode		Fiber tap	Support
		Mirror span	Support
System function	Traffic processing	Traffic replicating/aggregating/splitting	Support
		Load-balancing	Support
		Filter based on IP/protocol/port quintuple traffic identification	Support
		UDF Matching	Support
		Single fiber transmission	Support
		Ethernet package independence	Support
		Processing ability	3.2Tbps
	Management	CONSOLE MGT	Support
		IP/WEB MGT	Support
		SNMP MGT	Support
		TELNET/SSH MGT	Support
		SYSLOG Protocol	Support
		RADIUS or AAA Centralized authorization	Support
		User authentication	Authentication based on username and password
Electrical (1+1 Redundant Power System-RPS)		Rated power supply voltage	AC110~240V/DC-48V[Optional]
		Rated power frequency	AC-50HZ
		Rated input current	AC-3A / DC-10A
		Rated function power	Max 450W
Environment		Operating temperature	0—50°C
		Storage temperature	-20-70°C
		Working humidity	10%-95%, No condensation
User Configuration		Console Configuration	RS232 interface,115200,8,N,1
		Password authentication	Support
Chassis Height		Rack space (U)	1U 445mm*44mm*505mm